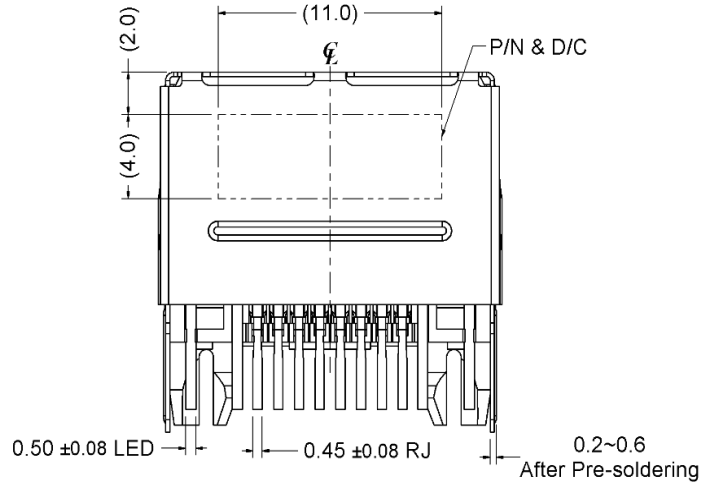
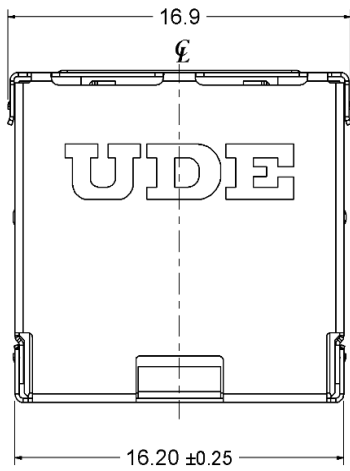


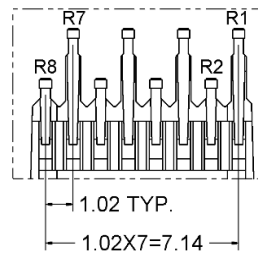
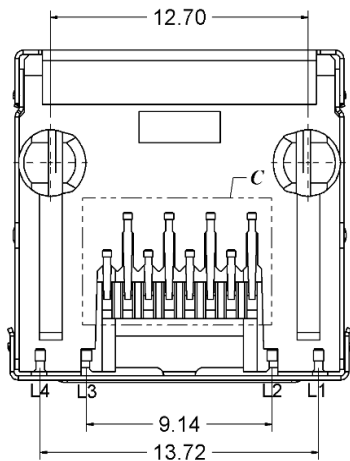
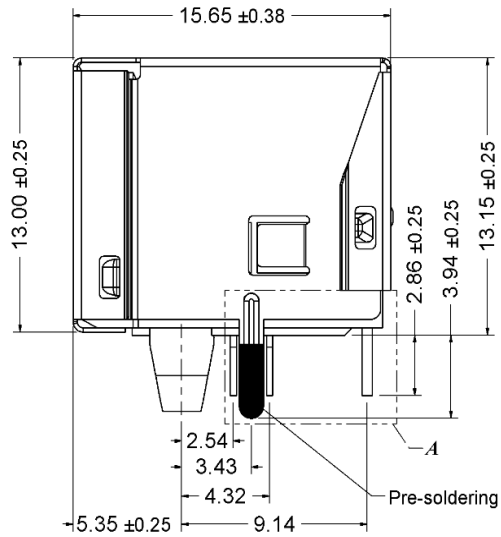
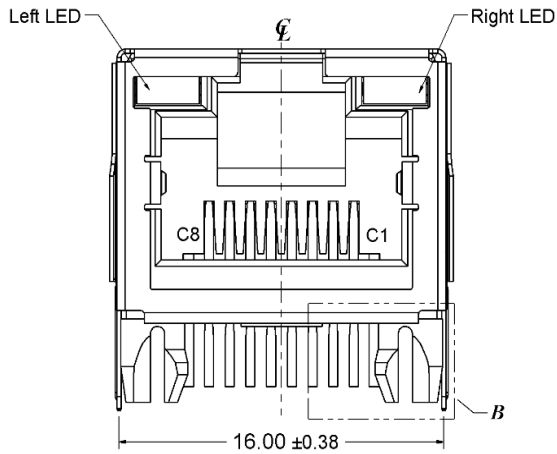
1. MECHANICAL DIMENSION

Product Dimension

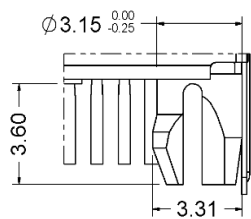
Unit:mm	General Tolerance :	X.X : ± 0.38
		X.XX : ± 0.20



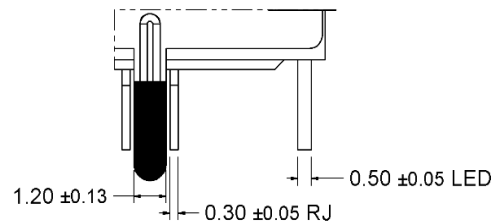
BACK VIEW



DETAIL C



DETAIL B



DETAIL A