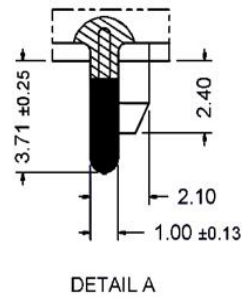
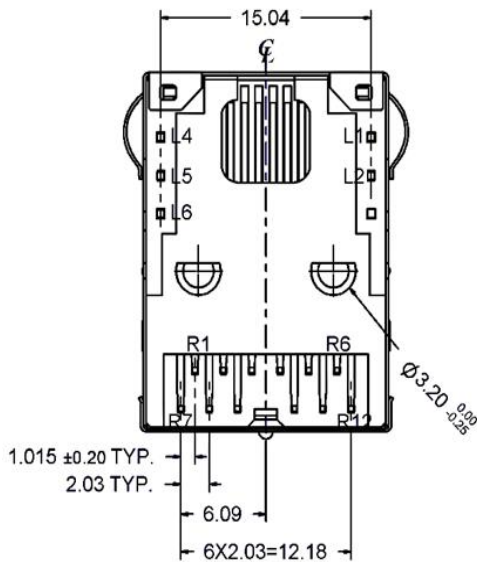
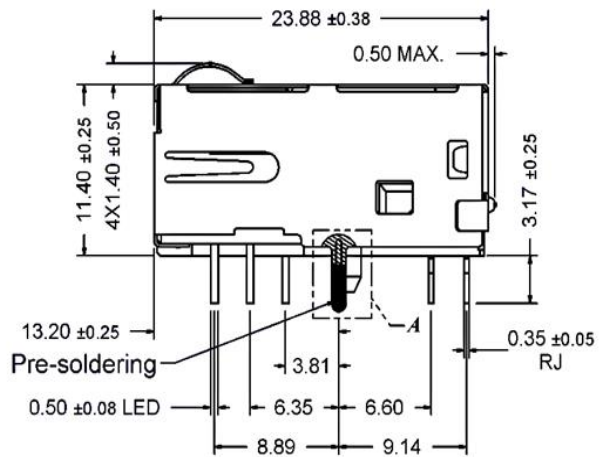
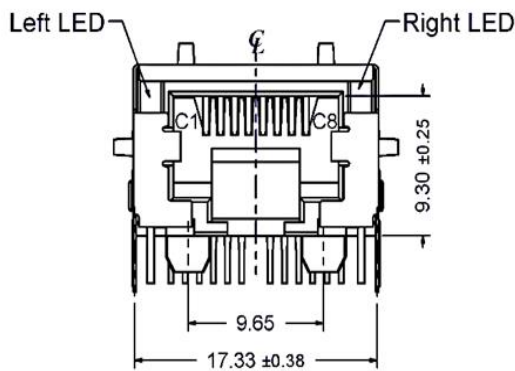
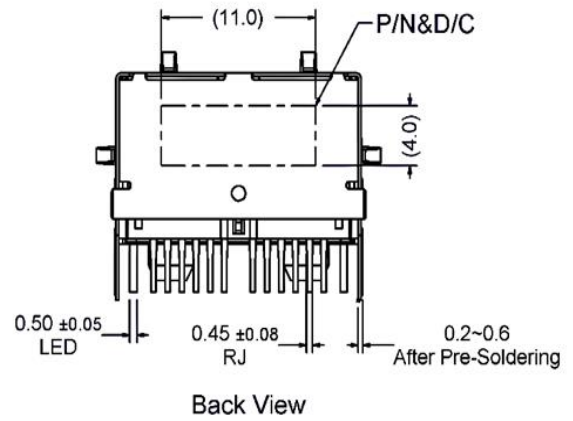
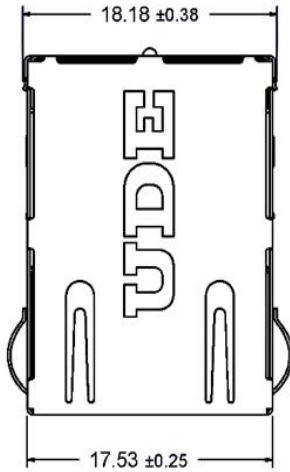


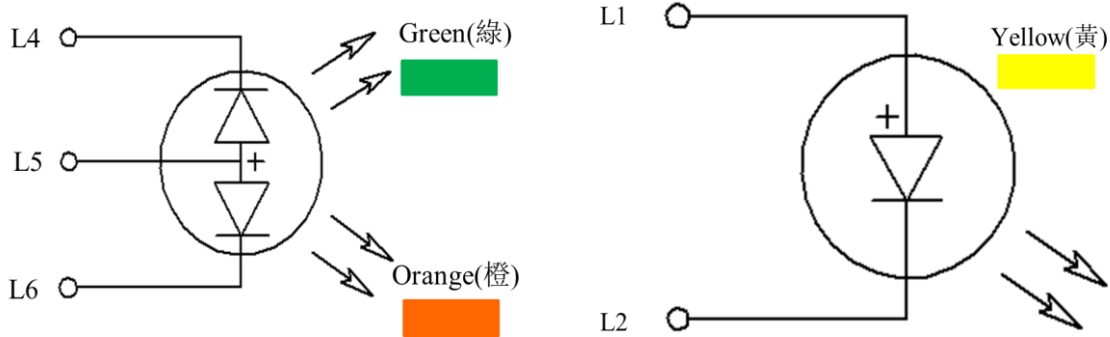
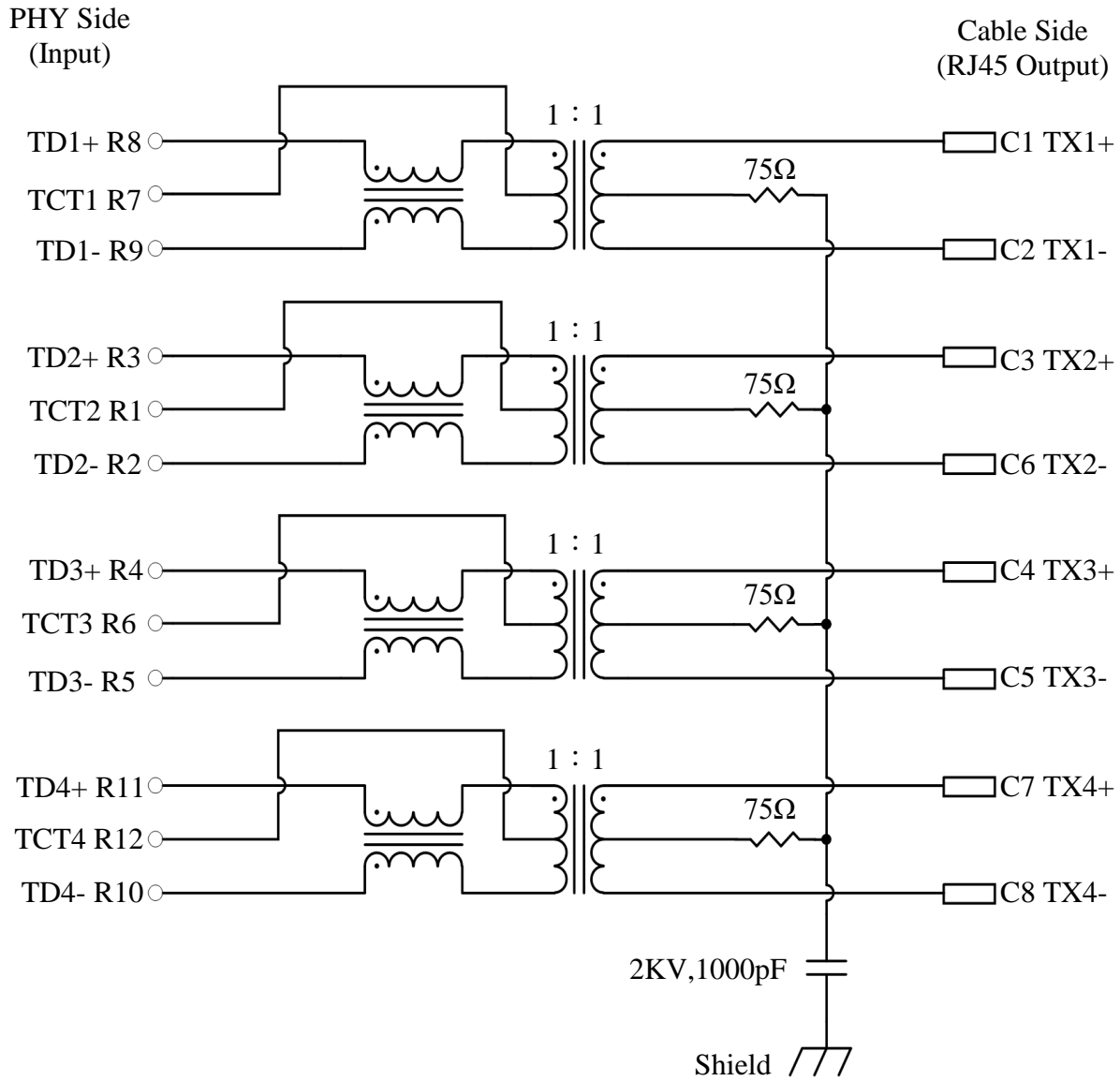
1. MECHANICAL DIMENSION

Product Dimension

| | | |
|---------|---------------------|---------------|
| Unit:mm | General Tolerance : | X.X : ± 0.38 |
| | | X.XX : ± 0.20 |



9. ELECTRICAL CHARACTERISTICS @25°C



| Emitting Color | λ_p (nm) | V_f @ $I_f=20mA$ | I_r @ $V_r=5V$ |
|----------------|------------------|--------------------|------------------|
| Green | 570 | 1.7 ~2.6 V | 10 μ A max. |
| Yellow | 588 | 1.7 ~2.6 V | 10 μ A max. |
| Orange | 605 | 1.7 ~2.6 V | 10 μ A max. |