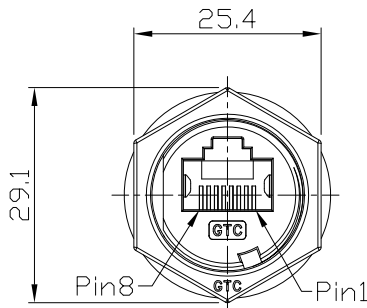


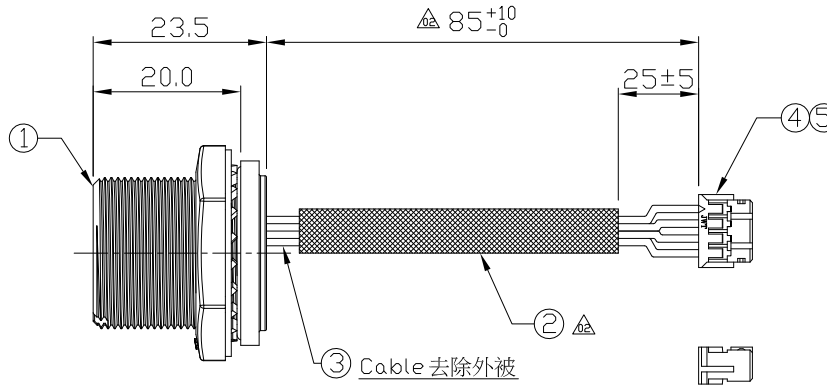
Notes: (Unless Otherwise Specified)

1. Waterproof Rate: IP68.
2. Recommend Panel Thickness: 0.8 to 5.0 mm.
3. Recommend Torque: 19~20 Kgf-cm.
4. Mating Cap P/N: GT2C215012/GT1C5331X2.
5. RoHS Compliant.

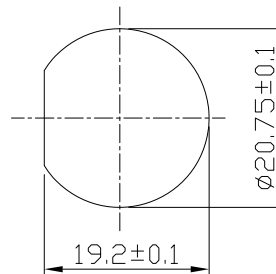
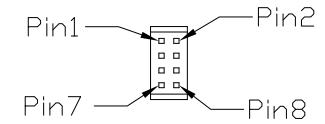
REV	ECN#	DESCRIPTION OF REVISION	DRAW BY DATE	CHECK BY DATE	APPROVE BY DATE
02	ECN-181125	150mm => 85mm , Add Shrink Tube	Whitney 11/23/18	Lucas 11/23/18	Ray 11/23/18



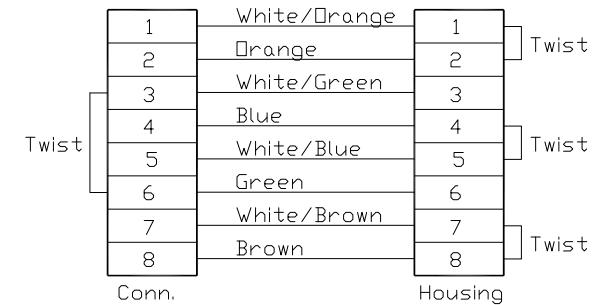
Conn.



Housing



Recommend Panel Cut-Out



Conn.

Housing

Wiring Diagram

Item	Part Name	Material / Finish	QTY
5	Terminals	JWT P/N: A2006TDP-2 or Equivalent Finish: Sn Plated	8
4	8P Housing	JWT P/N: A2006H00-2X4P or Equivalent Pitch=2.0mm, Color: White	1
3	Cable	CAT5E 24AWG*4P+Al/My+D Color: Gray, OD=6.0±0.2mm	1
2	Shrink Tube	L=60mm Color: Black	1
1	RJ45 Metal C3 Shielded Panel Jack Screw	GT Contact P/N: GT225500-0X-XX	1

TITLE RJ45 Metal C3 Shielded Panel Jack Screw Inside PCB With 85mm Cable + 8P Housing					DRAWING NUMBER GT225500-0Z-CW-01			REV. 02
---	--	--	--	--	-------------------------------------	--	--	------------

THIRD ANGLE PROJECTION	SIZE	SCALE	DRAW / DATE	CHECK / DATE	APPROVE / DATE	TOLERANCES	UNIT	SHEET
	B	1:1	Whitney 11/14/18	Lucas 11/14/18	Ray 11/14/18	X.X ± 0.5 X.XX ± 0.2	mm	1/1

GT Contact CO.,LTD

NOTICE OF PROPRIETARY PROPERTY:

THE INFORMATION CONTAINED HEREIN IS THE PROPRIETARY PROPERTY OF GT CONTACT CO.,LTD THE POSSESSOR AGREES TO THE FOLLOWING:

(A) TO MAINTAIN THIS DOCUMENT IN CONFIDENCE  
(B) NOT TO REPRODUCE OR COPY IT  
(C) NOT TO REVEAL OR PUBLISH IT IN WHOLE OR PART  
(D) ALL RIGHTS RESERVED