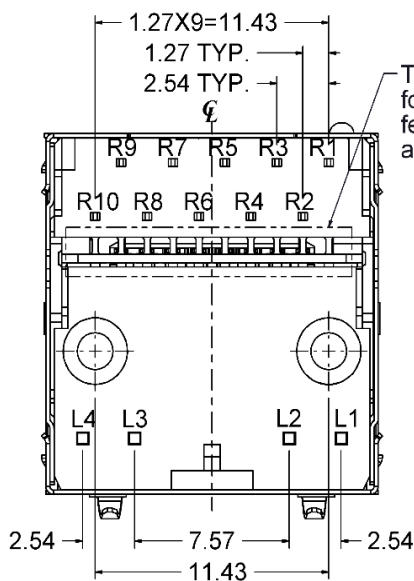
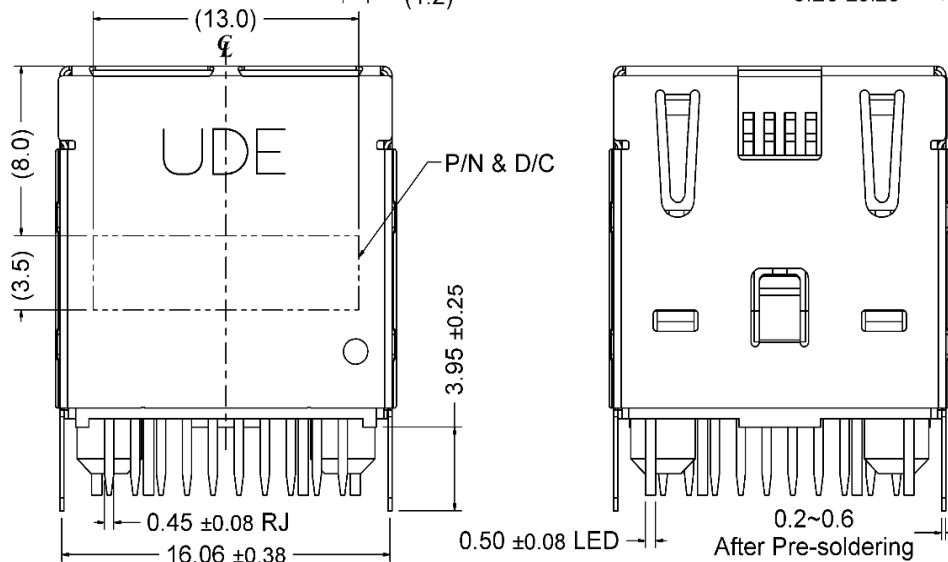
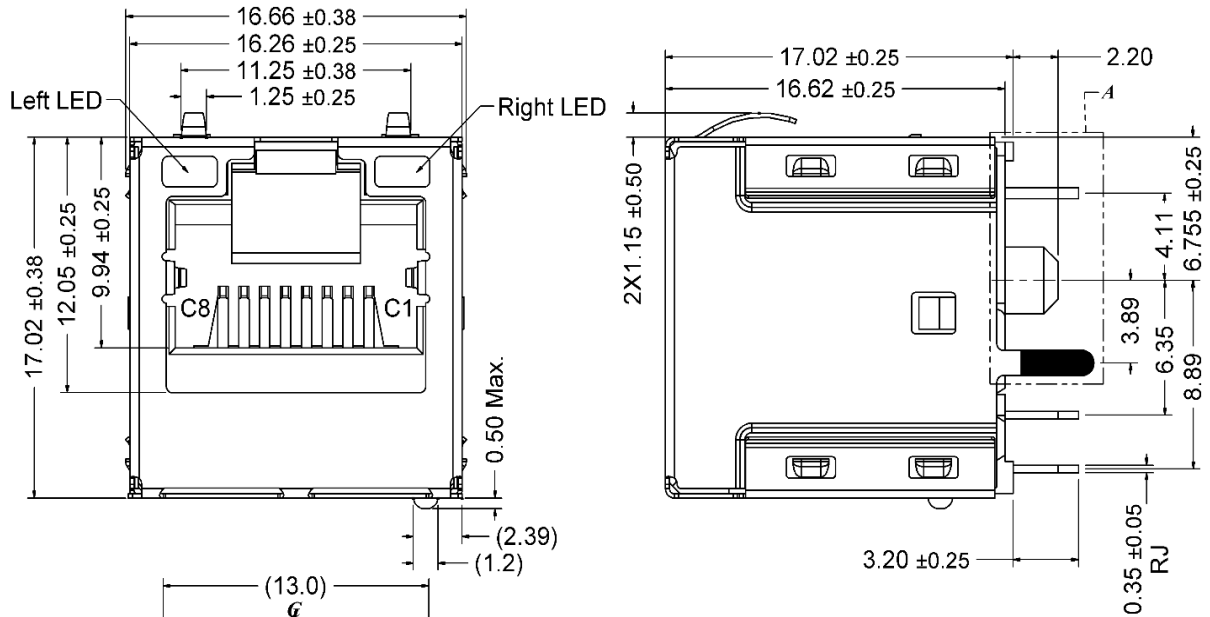


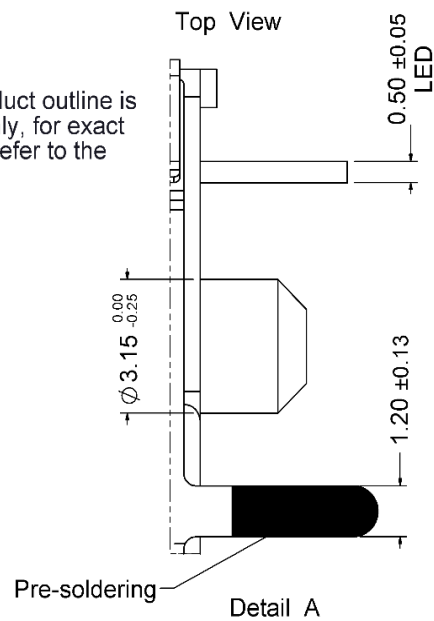
1. MECHANICAL DIMENSION

Product Dimension

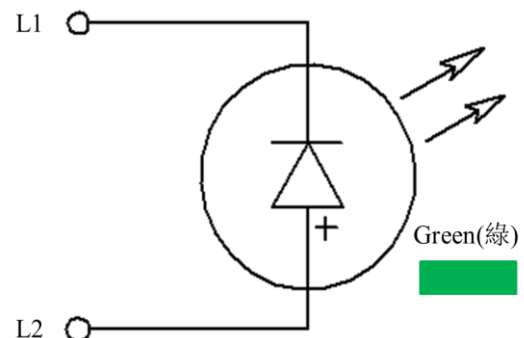
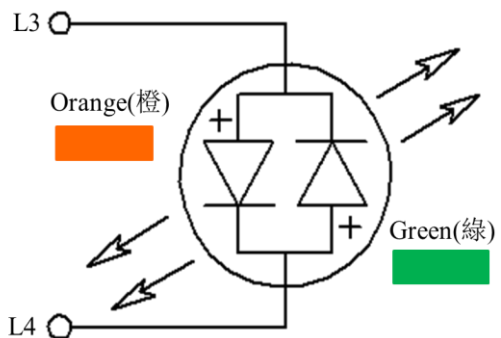
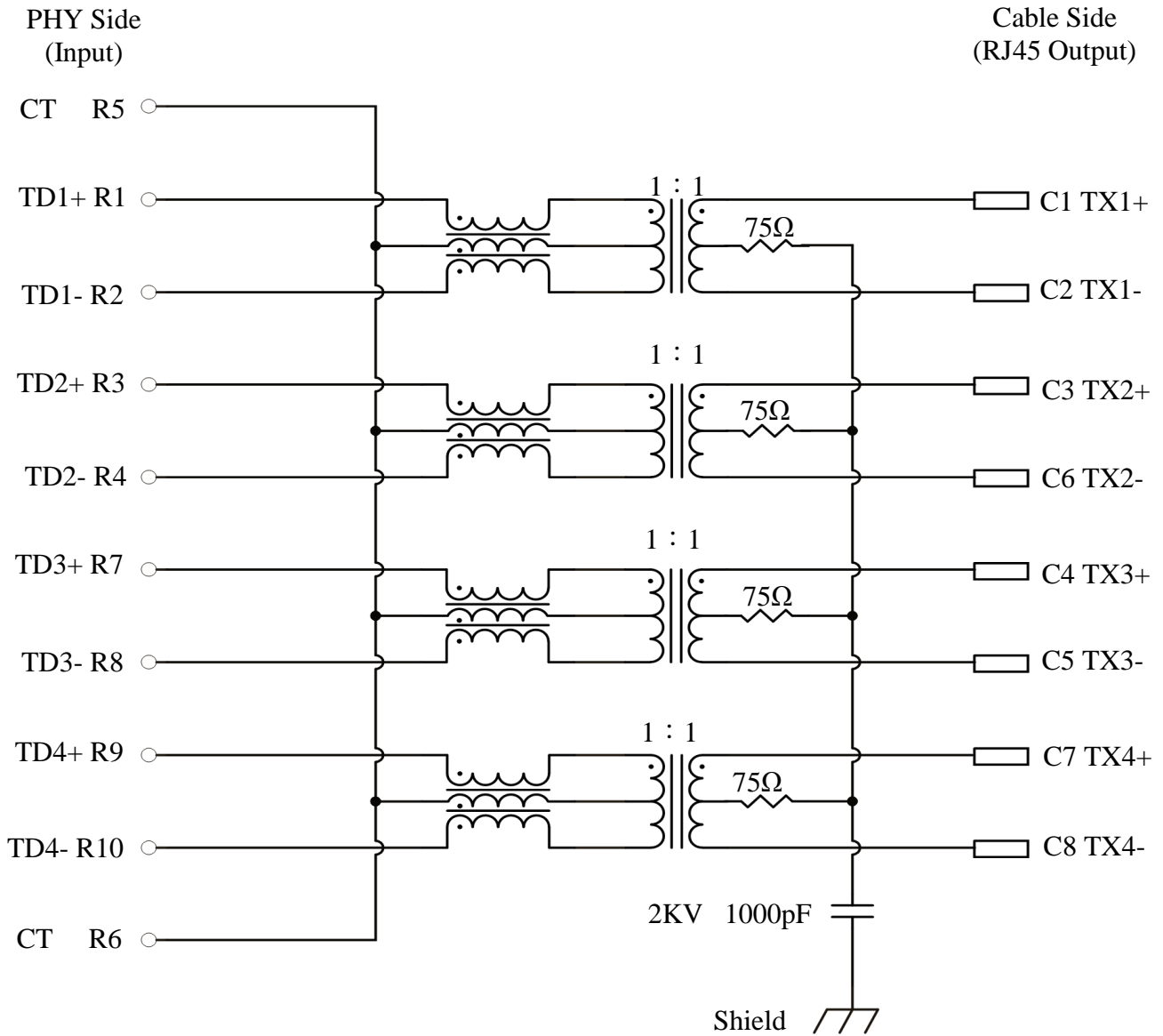
Unit:mm	General Tolerance :	X.X : ± 0.38
		X.XX : ± 0.20



The typical product outline is for reference only, for exact feature please refer to the actual product.



9. ELECTRICAL CHARACTERISTICS @25°C



Emitting Color	$\lambda_p$ (nm)	$V_f$ @ $I_f=20mA$	$I_r$ @ $V_r=5V$
Green	570	1.7 ~2.6 V	10 $\mu$ A max.
Orange	605	1.7 ~2.6 V	10 $\mu$ A max.