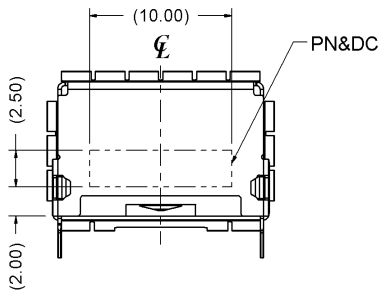
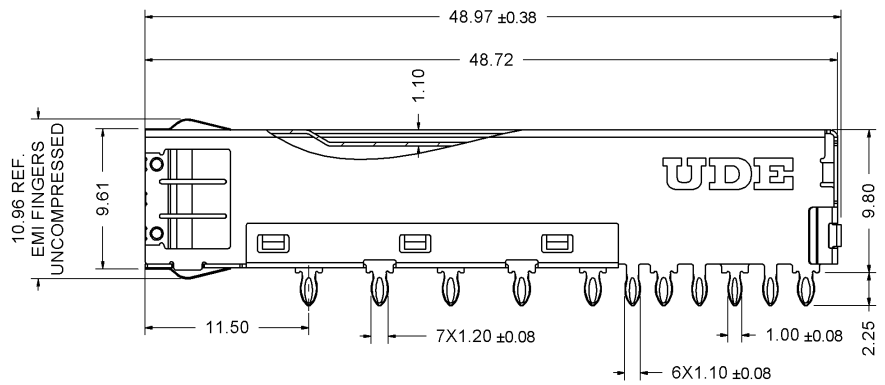
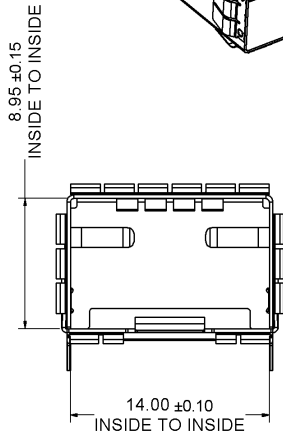
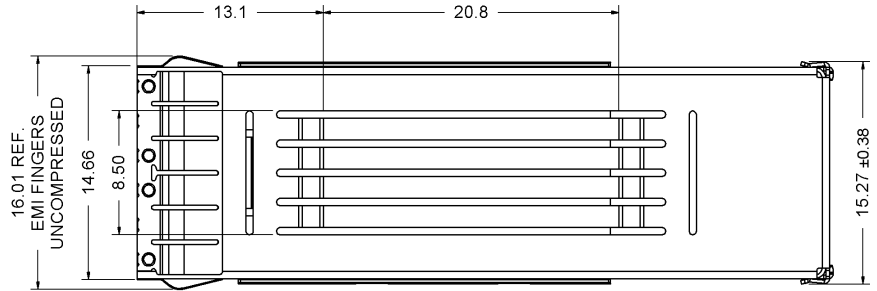
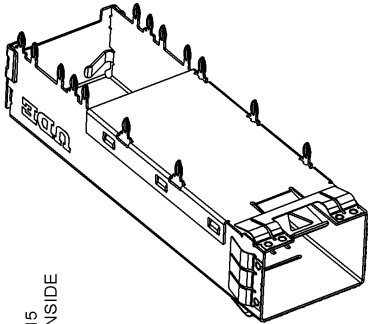


1. MECHANICAL DIMENSION

Product Dimension

| | | |
|---------|---------------------|---------------|
| Unit:mm | General Tolerance : | X.X : ± 0.38 |
| | | X.XX : ± 0.20 |



Right View

